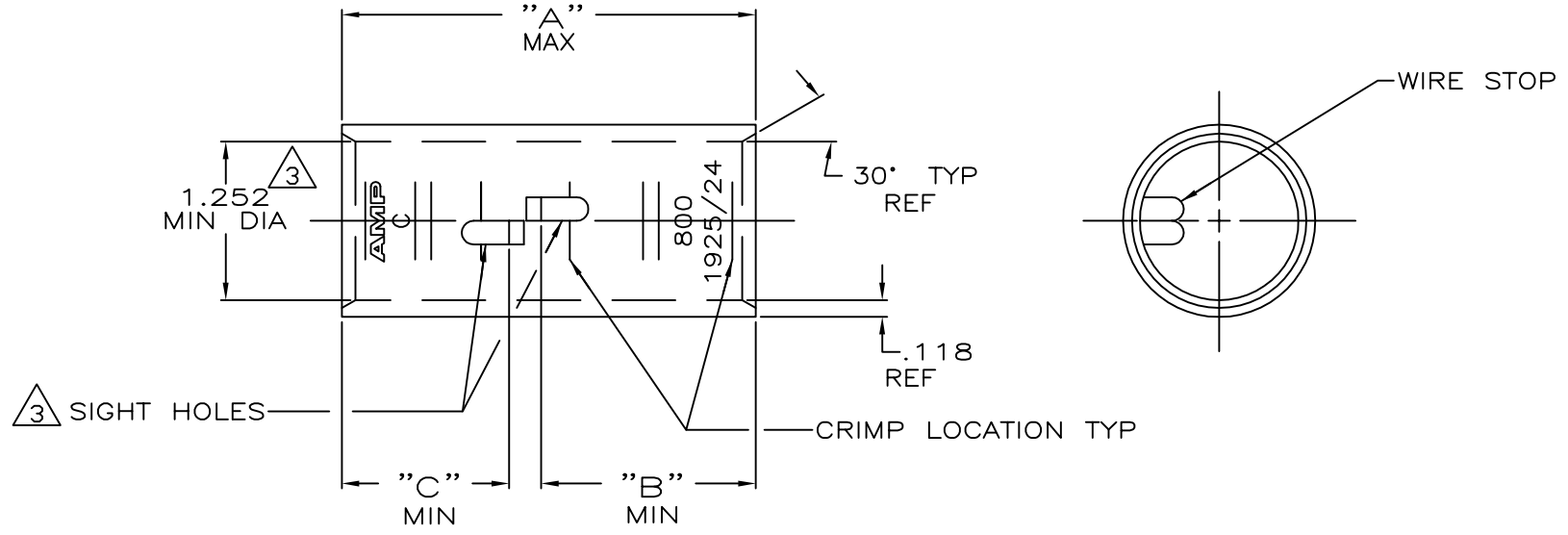


THIS DRAWING IS UNPUBLISHED. RELEASED FOR PUBLICATION
 © COPYRIGHT - By - ALL RIGHTS RESERVED.

| LOC | DIST | REVISIONS | | | |
|-----|------|-------------|---------------|-----------|-------|
| P | LTR | DESCRIPTION | DATE | DWN | APVD |
| G | 86 | N | ECR-13-000998 | 11FEB2013 | PK HS |



- ① TIN PL .000150 MIN THK MIL-T-10727
- ② PART NO: 324469; .486 LB.
PART NO: 1-324469-0; .486 LB.
PART NO: 2-324469-2; .548 LB.
- ③ .045 MAX BURR ALLOWED INSIDE THE WIRE BARREL ID IN AREA OF SIGHT HOLE.

| | | | | | | |
|------|------|------|--------------|----------------|---------------------------------|------------|
| 1.32 | 1.69 | 3.31 | △ | 750-850 MCM | COPPER ASTM-B-75 ANNEALED | 2-324469-2 |
| 1.32 | 1.32 | 2.96 | CLEANED △ | | | 1-324469-0 |
| "C" | "B" | "A" | FINISH | WIRE RANGE | MATERIAL | PART No |

THIS DRAWING IS A CONTROLLED DOCUMENT.

| | | | |
|--------------------|--|--------------------------|---|
| DIMENSIONS: INCHES | TOLERANCES UNLESS OTHERWISE SPECIFIED: | DWN DK SCHRUM 4/24/89 | |
| | 0 PLC ± - | CHK MS FEHER 4/24/89 | |
| | 1 PLC ± - | APVD WJ VOCKROTH 11/8/89 | |
| | 2 PLC ± - | PRODUCT SPEC | |
| MATERIAL SEE TABLE | FINISH SEE TABLE | APPLICATION SPEC | NAME SPLICE, BUTT, AMPOWER WIRE SIZE: 800 MCM |
| | | WEIGHT △ | SIZE A3 CAGE CODE 00779 DRAWING NO C=324469 RESTRICTED TO - |
| | | CUSTOMER DRAWING | SCALE 1:1 SHEET 1 OF 1 REV N |